



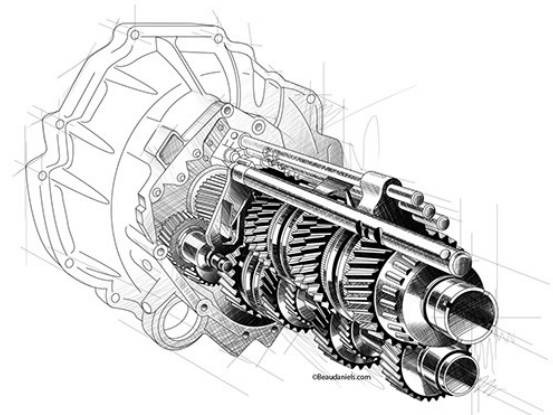
TOYOTA

FJ CRUISER



SPECIFICATION

YEAR:	2023
BODY TYPE:	SUV
AXLE :	4 WHEEL DRIVE
LITER :	4.0
FUEL TYPE :	PETROL
SPEED :	0 to 100 km/h: 8.0 sec





TECHNICAL

Type: Petrol

Capacity: 4.0 Litre V6

Power: 268 HP

Torque: 380 Nm

Transmission

Type: Automatic

Speed: 5-Speed

Drive System

Configuration: 4-Wheel Drive

Fuel Consumption

Combined: 9.8 km/L

Fuel Tank Capacity: 72 Litres

Performance

0 to 100 km/h: 8.0 seconds

Top Speed: 180 km/h

Suspension

Type: Standard





INTERIOR

Seating

Material: Fabric

Front Seats: Manual height adjustment for driver, armrests for both front seats

Rear Seats: Adjustable with headrests, 60/40 split folding

Heated/Cooled Seats: No

Massage Seats: No

Steering Wheel

Material: Leather

Controls: Multi-functional (audio, phone, cruise control)

Adjustability: Tilt and telescopic

Comfort and Convenience

Air Conditioning: Manual with AC vents

Front Armrest: Yes

Luggage and Back Door Opener: Manual

Rear Duct: Cooler rear duct for rear passenger comfort

Technology

Dashboard: Digital display

Multimedia System: 8 speakers, AM/FM/CD/Aux/USB/Bluetooth

Steering Wheel Controls: Audio, voice, and cruise control

Rear View Camera: Yes

Cruise Control: Yes

Parking Sensors: Rear

Wireless Charger: No

Navigation System: No

Storage and Practicality

Glove Box: Standard

Cup Holders: Front and rear

Storage Compartments: Various, including door pockets and center console

Seat Folding: Rear seats 60/40 split folding





EXTERIOR

Color: Beige Tan

Lighting

Front Headlights: Halogen

Fog Lights: Yes

Daytime Running Lights: No

Taillights: Halogen

High-Mounted Brake Light: Yes

Welcome Lights: No

Wheels and Tires

Front and Rear Wheel Size: 17 Inch

Tire Size: 265/70R17

Material: Alloy

Wheel Design: Standard

Body and Design

Grille: Iconic front grille with

FJ Cruiser branding

Bumpers: Front and rear bumpers with off-road styling

Side Steps: Yes, for easier access

Door Handles: Chrome

Side Mirrors: Power folding with illumination lamp

Spare Tire: Mounted on rear door

Roof: Standard solid roof, no sunroof

Cargo Access: Rear swing-out door with integrated spare tire

Dimensions

Length: 4,670 mm

Width: 1,905 mm

Height: 1,830 mm

Wheelbase: 2,690 mm

Ground Clearance: High for off-road capability

